

USER MANUAL PORTABLE POWER STATION



CAUTION

Thank you for purchasing our energy storage series products. Please read the user's manual carefully before using the product and keep it well. This manual helps you to operate this equipment correctly. But this is not an introduction to hardware and software configuration. For any product configuration, please refer to the relevant contract or consult your dealer. The pictures in this manual are for reference only, thank you.

CONTENT

Package contents	P.04
Introduction	P.04

Specification	P.05
LCD display	P.05-07
CAUTION	P.07

How to use the AC output function	P.08
How to use the UPS function	P.08
CAUTION	P.08

How to use USB output	P.09
How to use DC output	P.09

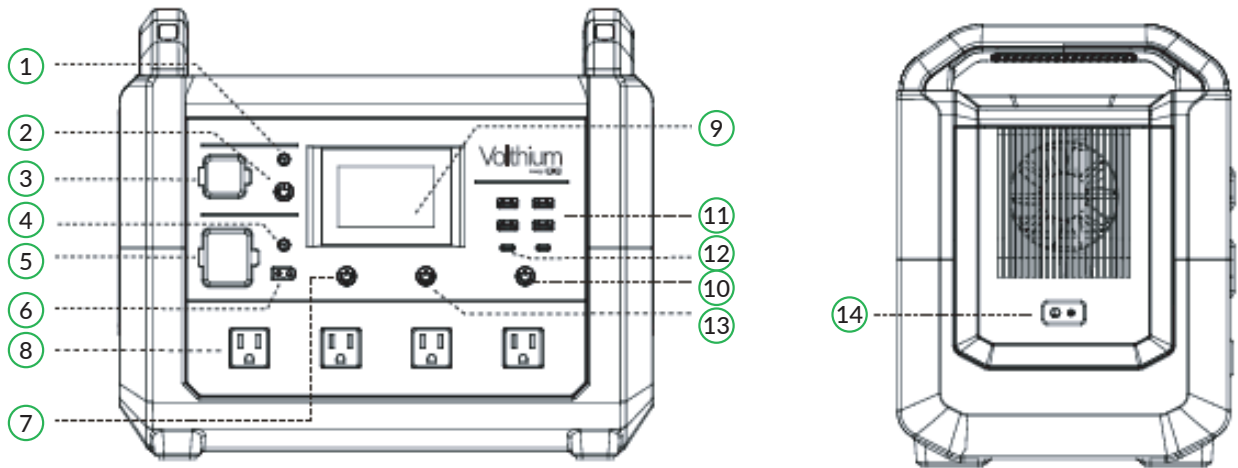
How to charge	P.10
Solar panel series/parallel charging	P.10
CAUTION	P.10
CAUTION	P.11

FAQS	P.12
Daily usage tips	P.12
Warranty	P.12
Caution	P.12

Package contents

AC charging cable x1	Car charging cable x1	MC4 to XT60 cable(Optional) x1	Bag x1	User Manual x1	EQP-PWRSTN-1600W x1
		 (About 2m)			

Introduction



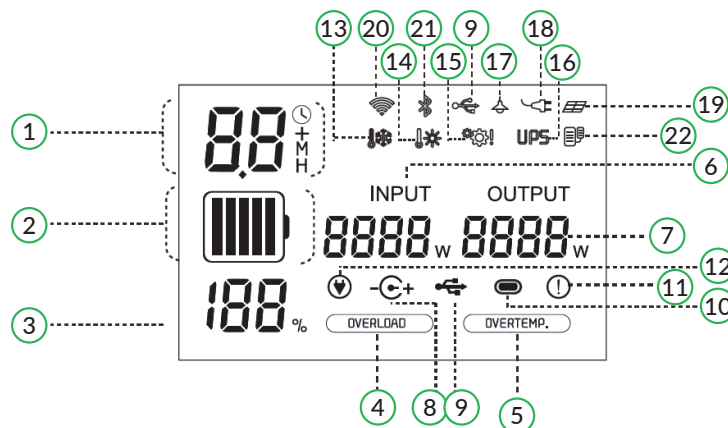
- ① DC Output Port
- ② DC ON/OFF Switch
- ③ Car Socket
- ④ DC Input Port
- ⑤ AC Input Port
- ⑥ Solar Input Port
- ⑦ AC ON/OFF Switch
- ⑧ AC Output Ports
- ⑨ LCD Display
- ⑩ USB ON/OFF Switch
- ⑪ QC USB-A Ports x4
- ⑫ PD100W USB-C Ports x2
- ⑬ Main Power Button
- ⑭ Ground Connection

US/JP (x4)				
EU (x4)				
AU (x4)				
ZA (x4)				
UK (x4)				

Specification

Name	US
N.W net weight	16 kg 35.3 lbs
Size	370x311.5x235 mm 14.6x12.3x9.3 po
Capacity	1536Wh (25.6V/60Ah)
Battery Type	LiFePo4
Inverter Waveform	Pure Sine Wave
Input	
AC	90-140VAC (50/60Hz) 800W±200W
XT60	11.5V-55V (MaX 550W)
DC5521	12V/10A,24V/10A (MaX 240W)
AC Output	
AC Inverter	*4 1600W total
Rated Output Voltage	120VAC
Rated Output Frequency	50/60Hz
Peak Power	2600W
Rated Power	1600W
DC Output	
2x USB-C	PD 100W (5V/3A 9V/3A 12V/3A 15V/3A 20V/5A)
4x USB-A	QC18W (5V3A / 9V2A / 12V1.5A)
1x Car Socket	13V/10A, Max, 130W
1x DC5521	13V/3A, Max, 39W

LCD display



Display Status	Display status effect	Operation / Instruction
Remaining time indicator	①	Remaining discharge charge time
Battery icon	②	<p>T5 ~ T1: Full frame indicates that the current power is 81 ~ 100%</p> <p>T5 ~ T2: Four cells indicate that the current power is 61 ~ 80%</p> <p>T5 ~ T3: Three cells indicate that the current power is 41 ~ 60%</p> <p>T5 ~ T4: Two cells indicate that the current power is 21 ~ 40%</p> <p>T5 ~ T4: A frame indicate that the current power is 0 ~ 20%</p> <p>T11: When the power is lower than 5%, the icon will keep flashing</p>
Percentage of power	③	This is the power percentage icon, you can light up the icon (blue) after turning on the phone to display the current power in numbers. The current level is displayed visually with numbers.
AC discharge overload (including overcurrent) icon	④	When AC discharge overload protection, the icon flashes 3 times and the buzzer sounds 3 times at the same time.
AC discharge overtemperature (including low temperature) icon	⑤	When AC discharge over-temperature protection, the icon flashes 3 times, while the buzzer sounds 3 times.
Display input status Status and power	⑥	Power on can display «INPUT», «8888» (blue) real-time display of the current Charging power; «W» means the unit is «watt».
Display output status Status and power	⑦	«OUTPUT» can be displayed at power on, «8888» (blue) shows the current. The discharge power; «W» means the unit is «watt»
DC icon	⑧	In the state of power on, click the «DC» button, you can light up the icon; at this time DC5521 & cigarette lighter, can be output; No DC load is detected, click the «DC» button to Turn off the DC output and extinguish the icon.
USB icon	⑨	Click on the «USB» button to light up the icon in the power-on state; No detection USB load is detected, click the «USB» button to turn off the USB output and turn off the icon.
Type-c icons	⑩	Click on the «USB» button to light up the icon in the power-on state; No detection USB load is detected, click the «USB» button to turn off the USB output and turn off the icon.
Alarm icons	⑪	USB-A or Type-C or DC out blinks when overcurrent or short circuit protection is triggered, while Buzzer sounds 3 times.
AC icon	⑫	In the power-on state, click the «AC» button to light up the icon; at this time, you can discharge the AC load; if no AC load is detected within two hours, the AC output will be automatically turned off and the icon will be extinguished.

Low discharge of electric core Temperature icon	13		Low temperature protection icon for the battery cell, prohibit charging and discharging when it is lit.
Cell discharge high Temperature icon	14		High temperature protection icon for the battery cell, prohibit charging and discharging when it is lit.
Debug mode icon	15		Lights up when entering debug mode.
UPS icon	16		AC lights up when charging and discharging.
LCD backlight is always on icon	17		Illuminates when the LCD backlight enters constant light mode.
AC charging (input) icon	18		Light up when charging from the mains.
PV charging icon	19		XT60 lights up when connected to PV charging.
WIFI icon	20		This feature is not supported in the current version.
Bluetooth icon	21		This feature is not supported in the current version.
Expansion icon	22		This feature is not supported in the current version.

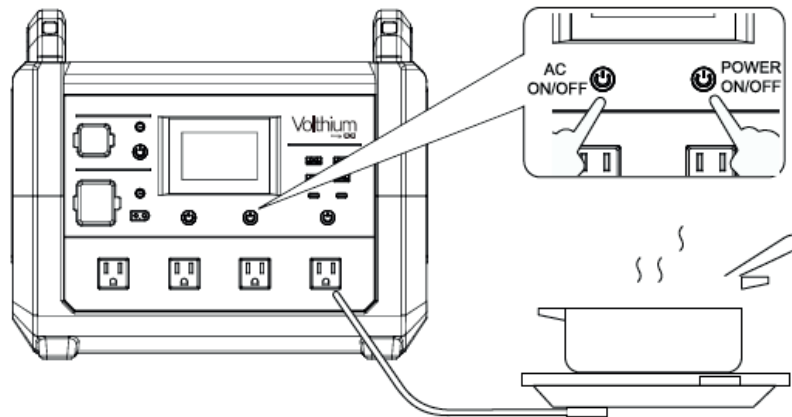
CAUTION

- 1) After the product is turned on, there is no operation within 30 seconds, the screen will turn off, then the power indicator will enter the «breathing» mode;
- 2) Off screen state, click any button to light up the screen;
- 3) Automatic shutdown without any operation within 3 minutes after power on;
- 4) AC output with automatic standby function, detecting that the AC interface power is less than 1W for 2 consecutive hours, it will automatically shut down;
- 5) USB-A, USB-C and DC outputs can be turned off by clicking the corresponding on/off button when there is no load;

How to use the AC output function

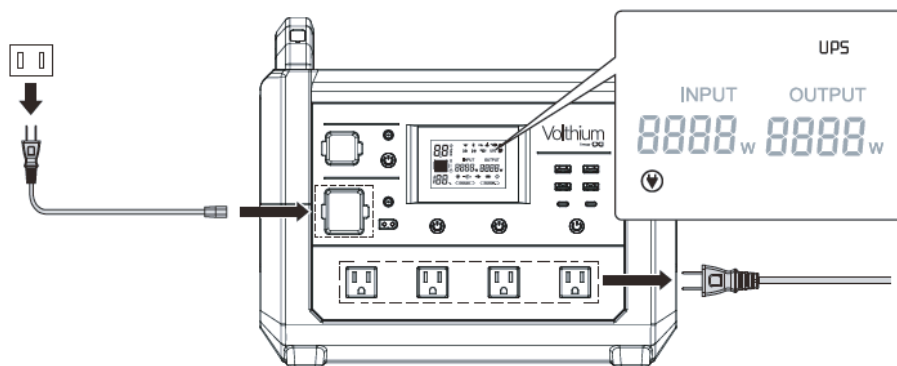
Under the condition that the total power does not exceed 1600W, all AC outlets can work together at the same time.

1. Click the power button to turn on the power. The main power indicator and screen lights up and enters standby mode.
2. Plug in AC appliances.
3. Press the AC ON/OFF switch to turn on the AC output function. The product starts to supply power to external AC appliances.
4. Long press the AC power ON/OFF switch to turn off the AC output.
5. When not using the product for a long time, please long press the main power switch for 1s to turn off to save power.



How to use the UPS function

1. Grid-powered mode: AC charging cable connects the grid to the product's AC input port; the appliance can work with the product's AC output port (when the AC power comes from the grid, not from the battery).
2. Battery-powered mode: When the power grid is suddenly cut off, the product can be automatically switched to the battery-powered mode of the product within 15 ms while the «UPS» icon lights up.
3. When the grid and battery power supply modes are carried out at the same time, priority is given to the grid power supply mode, and the remaining energy is used to replenish the battery pack.



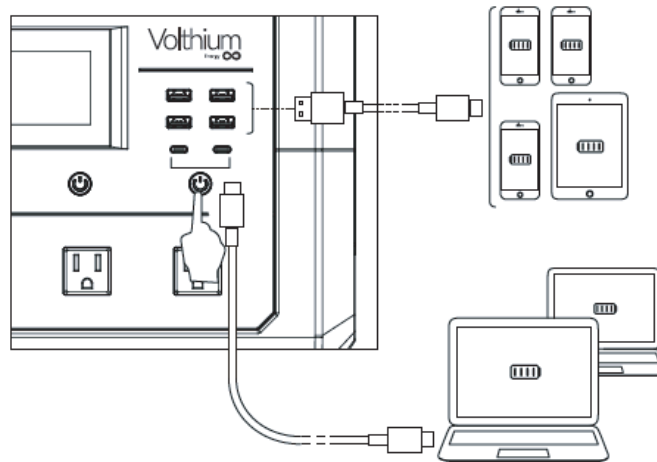
CAUTION

This is a non-professional UPS function and does not support 0ms switching. Please do not connect to equipment that requires high uninterruptible power supply, such as data servers and workstations, or please test several times to confirm compatibility before using, and it is recommended to use only one device, do not use more than one device at the same time in order to avoid overload protection of this product.

If you do not follow the instructions, resulting in equipment can not operate normally, or data loss, the Division will not be responsible for the corresponding responsibility.

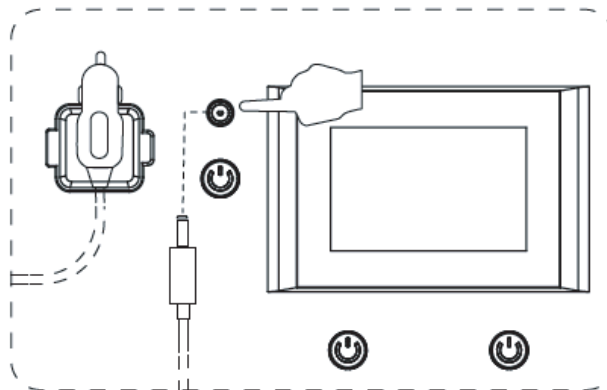
How to use USB output

1. Click the power button to turn on the power. The main power indicator and screen lights up and enters standby mode.
2. Press the USB ON/OFF switch to turn on the USB function.
3. Plug in the USB devices and start to use.



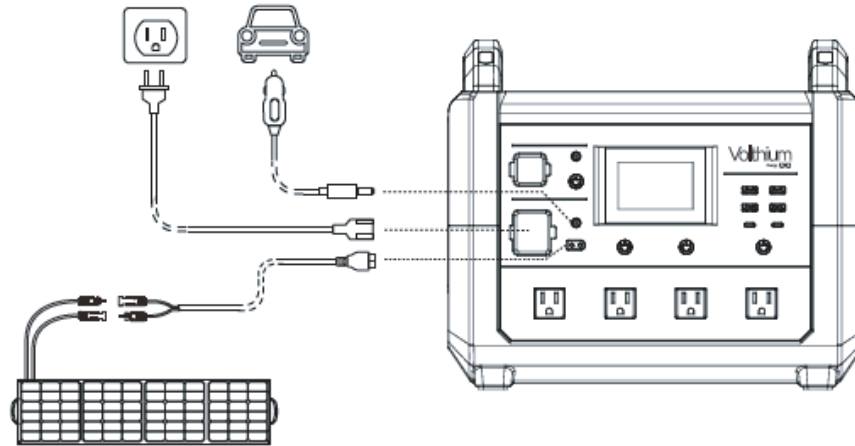
How to use DC output

1. Click the power button to turn on the power. The main power indicator and screen lights up and enters standby mode.
2. Plug in the DC devices.
3. Press the DC ON/OFF switch to turn on the DC function.
4. After use, press the DC ON/OFF switch to turn off the DC output.
5. When not using the product for a long time, please long press the main power switch for 1s to turn off to save power.



How to charge

- When the power value is below 5%, it is recommended to charge (recharge) the EQP-PWRSTN-1600W and then use it.
 - It is recommended that the charging (full) operation be performed at least once in three months.
 - This product has a total of 3 charging ports. If you access charging at the same time, AC charging has the highest priority, followed by DC5521.
1. Super Quick charging: AC Input (AC power supply can be used to charge Portable Power Station with a maximum power of 900W through the AC charging port.).
 2. Solar charging.
 3. Car charging.



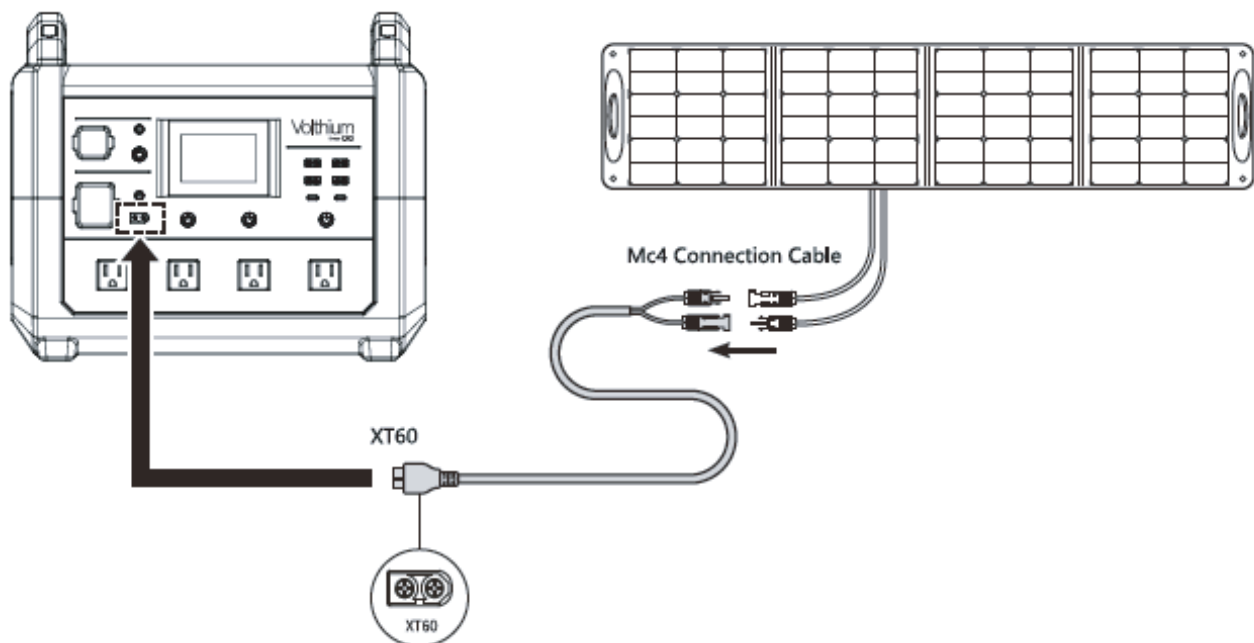
Solar panel series/parallel charging

Portable Power Station support Solar Panel charging Max 500W.

You can purchase solar panels and dedicated cable accessories that match the Portable Power Station to achieve a high-power solar fast charging experience.

CAUTION

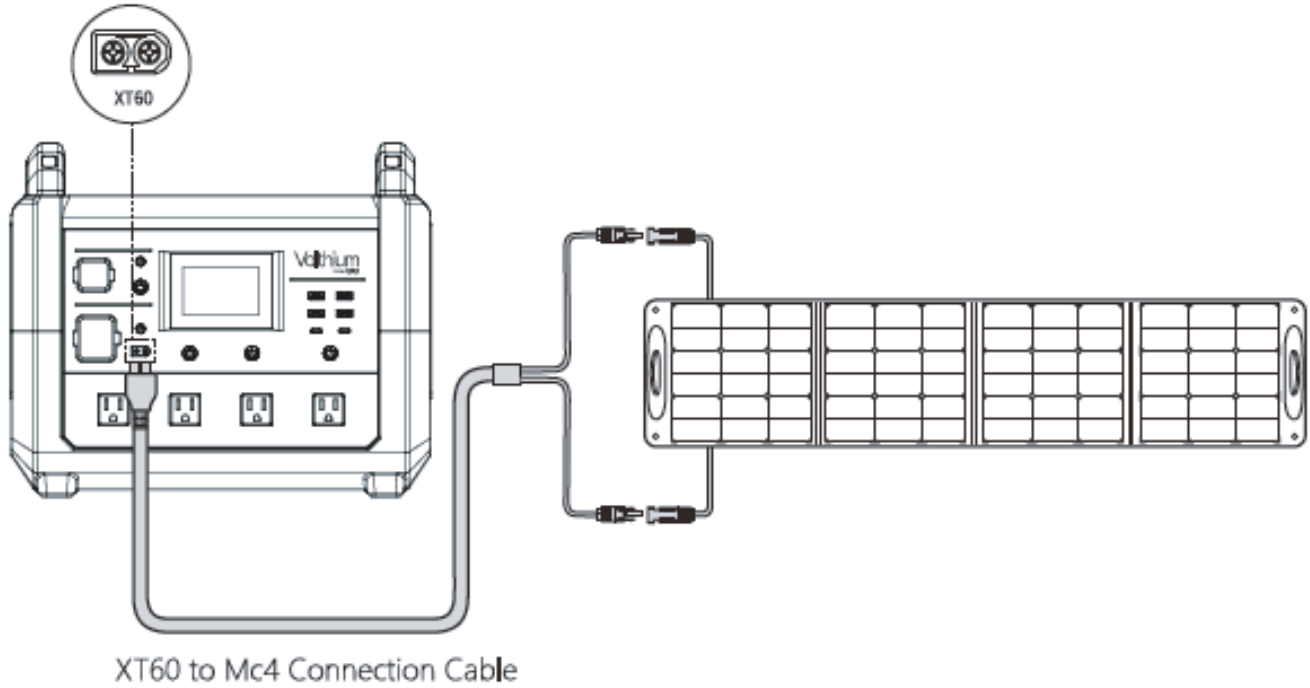
The maximum voltage of solar panels that Portable Power Station can support is 55V, and the maximum current is 10A.



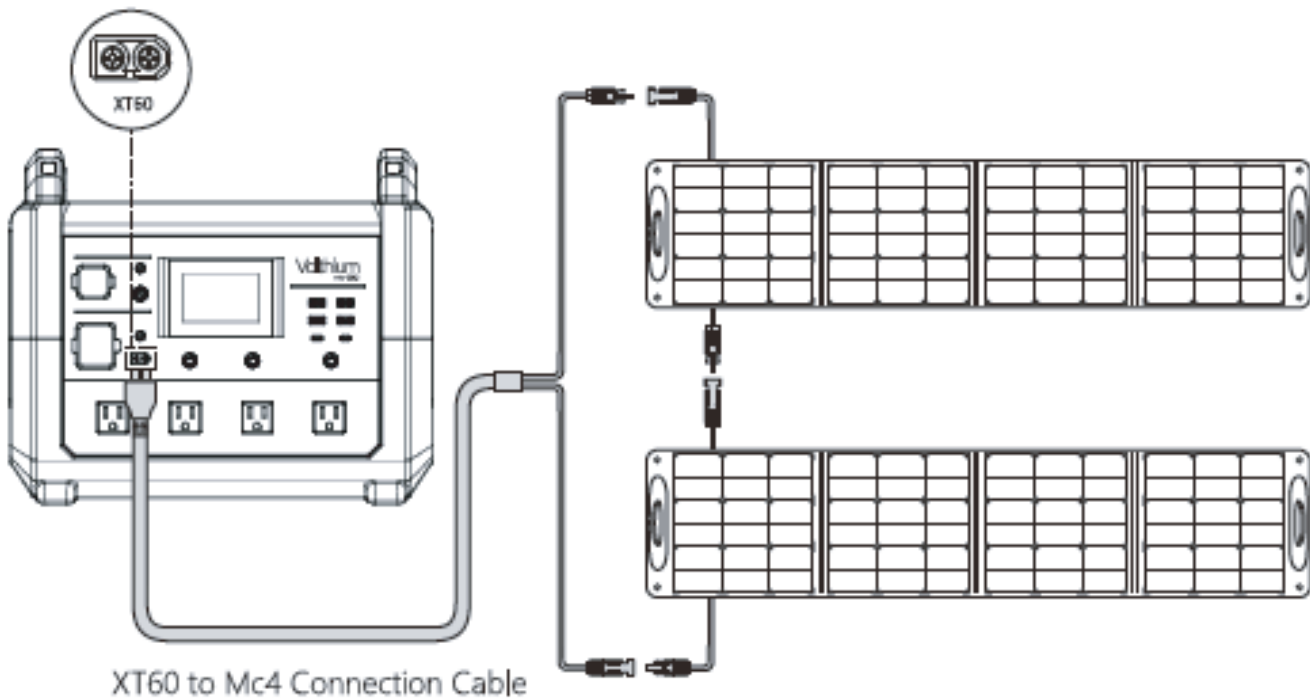
CAUTION

- It must be charged by solar panels with a voltage lower than 55 V.
- The input voltage exceeding 55 V has the risk of damaging the product.

Users can connect the solar panel as shown to charge this product. The DC input voltage range of this product is 11.5 V - 55 V. Maximum current is 25 A, maximum charging power is 550W.



1) Connect a photovoltaic panel voltage ≤ 55 V, power ≤ 550 W



2) Series connection of 2 or more total power ≤ 550 W

FAQS

1. Can the product be taken on the plane ?

No, because this product is a products with battery, according to international air transportation standards and regulations, battery capacity products cannot exceed 100Wh.

2. The consumers' power is within the rated output power range of the Portable Power Station but cannot be used ?

Because the product has a low power, it needs to be fully recharged and used again.

3. Why is there a noise sometimes ?

Because this product uses an air-cooled system, the built-in fan can better help the product to dissipate heat, so it is normal for a slight noire to occur.

4. How do I store the product when it's not in use ?

The portable power station needs to be stored in a dry environment, and the correct storage method can prolong the service life of the portable power station.

5. How do I clean the product if it is dirty ?

Please use a dry non-abrasive cloth to wipe. Do not wipe directly with a wet cloth or chemical solvent. If you want to wipe it more cleanly, we recommend that you use a cotton swab with a small amount of absolute alcohol to wipe. Do not expose the product to large amounts of water.

Daily usage tips

1. This product uses high-quality original lithium-ion batteries, no memory effect, large capacity, and durable. Recommended to use it within the range of 10°C-30°C to get the best charging performance.
2. Please stay away from TV, radio and other equipment to avoid interference when charging.
3. Please disconnect the power cord and keep it if not to use this device for long time.

Warranty

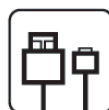
This device EQP-PWRSTN-1600W provides an 24-months.

Caution

- 1) Do not store this device together with coins, jewelry, keys and other metal objects to avoid short circuit.
- 2) Keep away from heat, don't throw it in fire water or other liquids, high temperature, including direct sunlight.
- 3) This equipment is not suitable for people with reduced physical, sensory or mental abilities or lack of experience and knowledge (including children), unless the person responsible for their safety supervises or guides their use of the equipment.
- 4) Children should be supervised and guided if to use this device, to avoid any safety issues.
- 5) The device may become hot while charging, which is normal. Do not cover the device with towels, clothing or other items.
- 6) Please dispose of the waste according to the regulations, and do not dispose of the built -in battery as domestic garbage to avoid explosion.
- 7) This product is only used for emergency energy storage power supplies, and cannot replace standard DC or AC power supplies for household appliances or digital products.
- 8) There is a non-removable battery inside your device. Do not try to remove the battery, otherwise the device may be damaged.



Recharge device every 3 months



Use original certified cable



No contact with liquids



Do not disassemble



Prevent from falling



Prevent from high temperature