

TECHNICAL SHEET

51.2V 100AH BATTERY



Self-Heating (optional \$)



ELECTRICAL SPECIFICATIONS

Voltage	51.2 volt
Capacity	100 Ah
Capacity @ 20A	300 min
Energy	5120 Wh
Auto-discharge	<1% per month
Maximum unit in series	Contact us
Maximum unit in parallel	Up to 16 in parallel

TEMPERATURE SPECIFICATIONS

Discharge temperature	From -20 to 65°C
Charging temperature	From 0 to 45°C

STORAGE SPECIFICATIONS

Storage temperature	From -20 to 45°C
Storage voltage	From 52.4V to 53.6V

CHARGE SPECIFICATIONS

Recommended Charge Current	60 A
Maximum Charge Current	80 A
Recommended Charge Voltage	56 V (Bulk) 54.4 V (Float)

COMMUNICATIONS SPECIFICATIONS

Bluetooth	Dongle BT require (accessory)
Communication ports	RS485 / CAN
LCD screen	No
Volthium CAN Hub Communication (VE.CAN)	Compatible

DISCHARGE SPECIFICATIONS

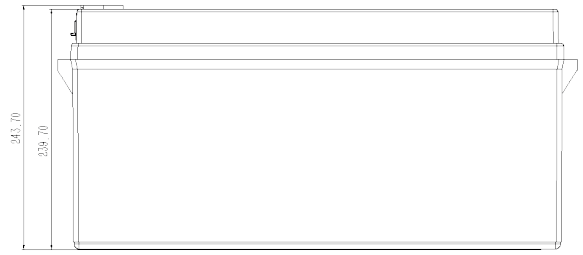
Continuous discharge current	125 A
BMS - Discharge disconnect voltage	43.2 V
BMS - Discharge reconnection voltage	43 V
Short circuit protection	Yes

NUMBER OF CYCLES ACCORDING TO THE AVERAGE DISCHARGE % OF USE

30% discharge	8200 < cycles
80% discharge	6000 < cycles
100% discharge	3500 < cycles

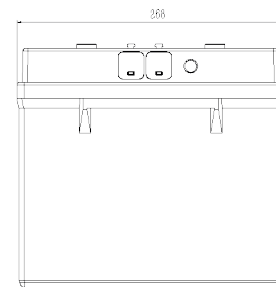
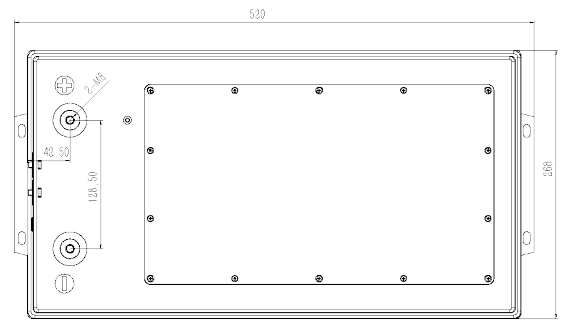
MECHANICAL SPECIFICATIONS

Dimensions	520 X 268 X 243,7 mm 20.47 X 10.55 X 9.6 po
Group / format	GR8D
Weight	47.2kg / 104 lbs
Terminal Type	M8
Tightening torque on terminals	8~10nm / 6-8 ft/lb



CERTIFICATIONS & DESIGN

Design	16S1P
Certifications	Full Pack Assembly ETL SP-1000 Cells UL1973 & CSA UL9540A IEC62619 IEC62660 Breaker UL1077 @ CSA C22.2 No. 235-04 Terminal UL1977
Shipping Classification	UN 3480 CLASS 9
Cell type	SquareCell - LiFePO4



DEFINITION

COM 1

Pin-1	RS485-B	Inverter communication
Pin-2	RS485-A	
Pin-3	/	
Pin-4	CAN-H	Inverter communication
Pin-5	CAN-L	
Pin-6	/	
Pin-7	Link-A	Parallel communication
Pin-8	Link-B	

DEFINITION

COM 2

Pin-1	Dry Contact (-)	1) If trigger warning/ protection, dry contact will close it. (NC) 2) Normally state : No
Pin-2	Dry Contact (+)	
Pin-3	/	
Pin-4	Tx	RS232 communication
Pin-5	Rx	
Pin-6	GND	
Pin-7	Remote SW+	Remote switch
Pin-8	Remote SW-	