

TECHNICAL SHEET

12V 150AH BATTERY



Bluetooth (with Volthium Bluetooth Dongle \$)



Self-Heating (optional \$)



ELECTRICAL SPECIFICATIONS

Voltage	12.8 volt
Capacity	150 Ah
Capacity @ 20A	450 min
Energy	1920 Wh
Auto-discharge	<3% per month
Maximum unit in series	4
Maximum unit in parallel	4

STORAGE SPECIFICATIONS

Storage temperature	From -20 to 45°C
Storage voltage	From 13.1V to 13.3V

COMMUNICATIONS SPECIFICATIONS

Bluetooth	Dongle BT require (accessory)
Communication ports	RJ45 (RS485)
LCD screen	No
Volthium CAN Hub Communication (VE.CAN)	Compatible

CHARGE SPECIFICATIONS

Recommended Charge Current	5 A - 80 A
Maximum Charge Current	80 A
Recommended Charge Voltage	14.2 V - 14.6 V (Bulk) 13.6 V (Float)

HEATING SPECIFICATIONS (OPTIONAL)

Activation temperature	From -35 to 11 °C
Activation current	6 A
Heating current	4 A
System activation mode	Manual

DISCHARGE SPECIFICATIONS

Continuous discharge current	150 A
BMS - Discharge disconnect voltage	10 V
BMS - Discharge reconnection voltage	11.2 V
Short circuit protection	Yes

NUMBER OF CYCLES ACCORDING TO THE AVERAGE DISCHARGE % OF USE

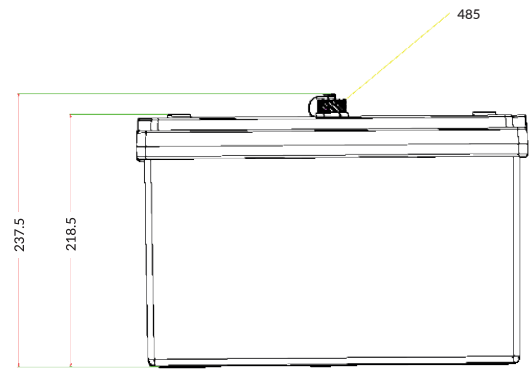
30% discharge	8200 < cycles
80% discharge	6000 < cycles
100% discharge	3500 < cycles

TEMPERATURE SPECIFICATIONS

Discharge temperature	From -30 to 60°C
Charging temperature	From 0 to 45°C

MECHANICAL SPECIFICATIONS

Dimensions	344,16 X 187,36 X 237,5 mm 13.55 X 7.4 X 9.35 po
Group / format	GR31
Weight	17.2kg / 38 lbs
Terminal Type	M8
Tightening torque on terminals	8~10nm / 6-8 ft/lb



CERTIFICATIONS & DESIGN

Design	4S1P
Certifications	Cells : UL1973
Shipping Classification	UN 3480 CLASS 9
Cell type	SquareCell - LiFePO4 - 150AH - 3.2V Grade A+

